

SINGER
136W104

Form 3104w
(1253)
Printed in U. S. A.

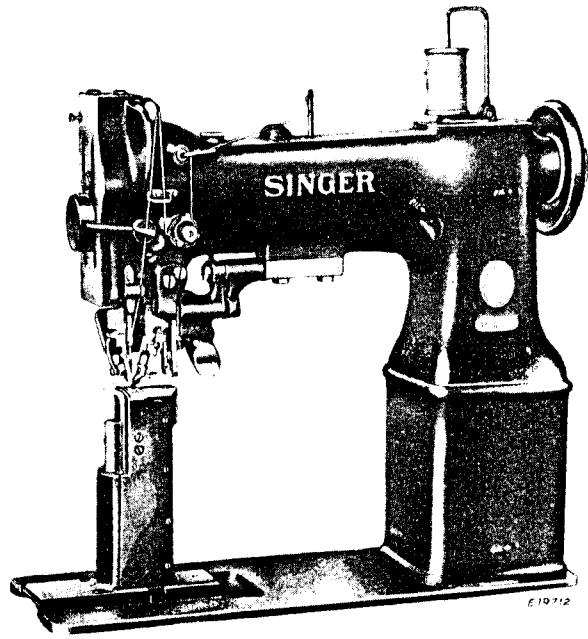
SINGER**

136w104

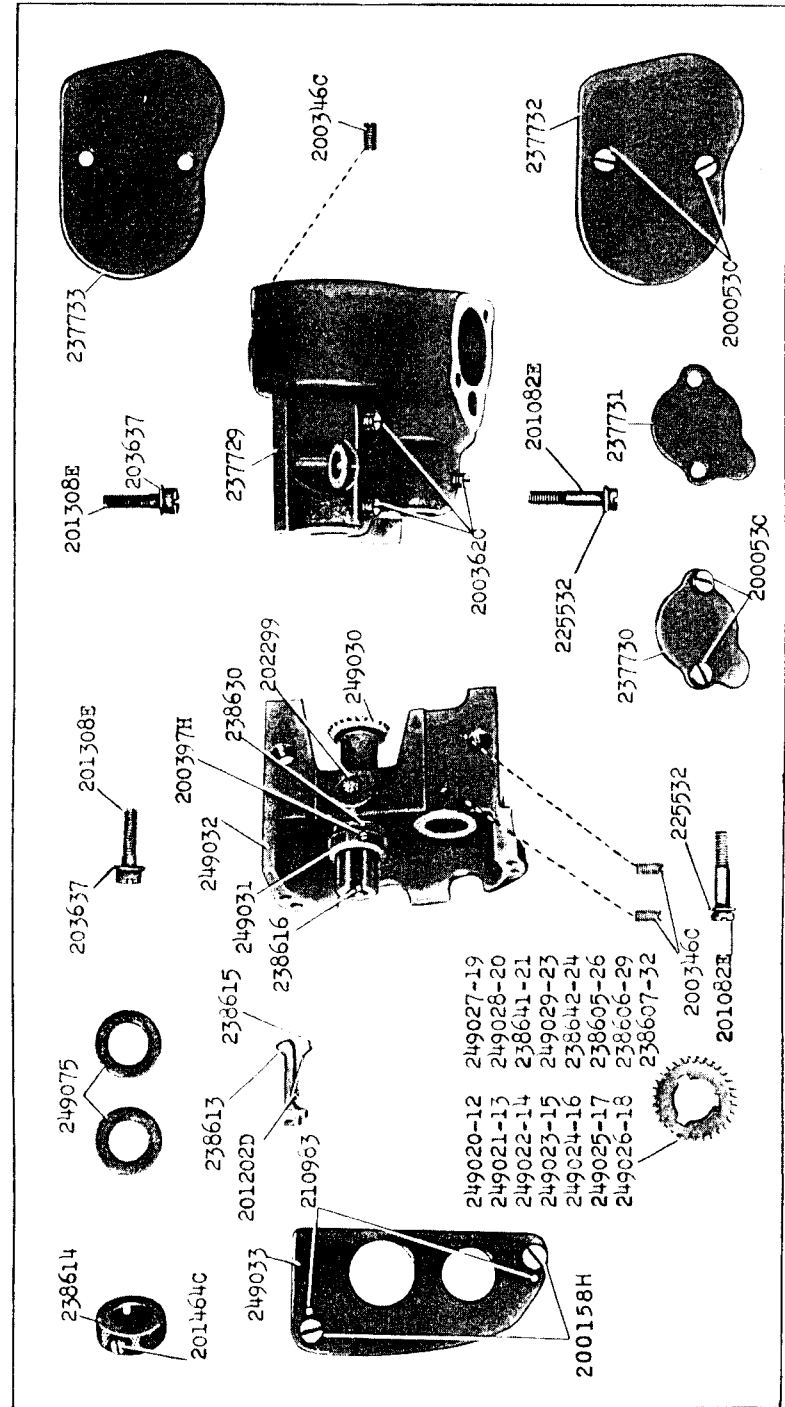


THE SINGER MANUFACTURING COMPANY

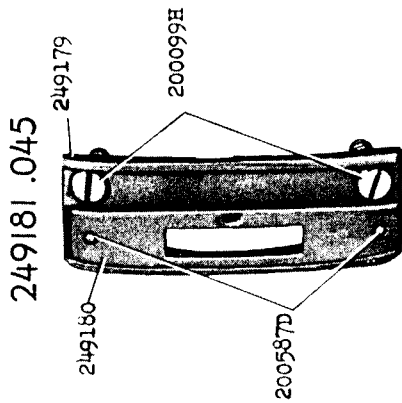
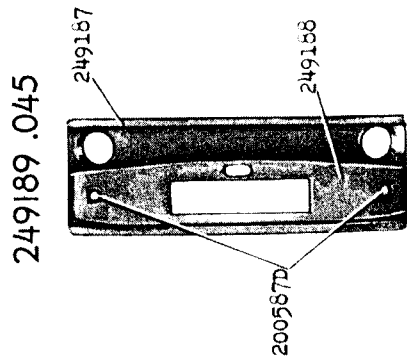
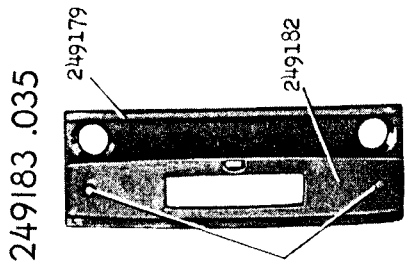
**A Trade Mark of THE SINGER MANUFACTURING COMPANY



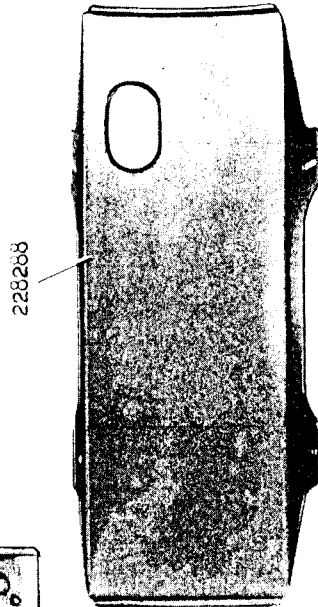
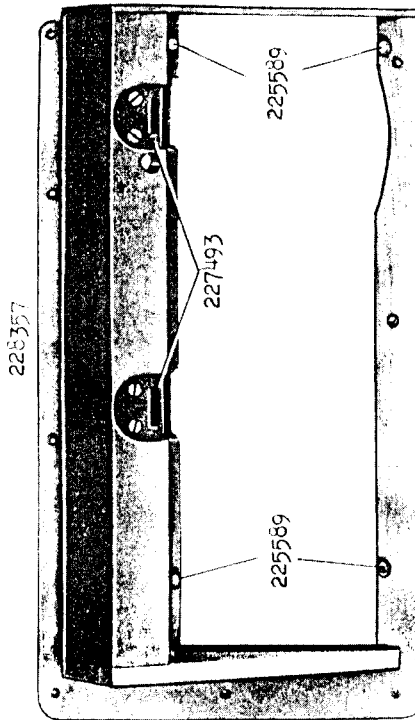
Copyright, U. S. A., 1933, 1938, 1939, 1940, 1941, 1949, 1951 and 1954
 by The Singer Manufacturing Company
 All Rights Reserved for all Countries



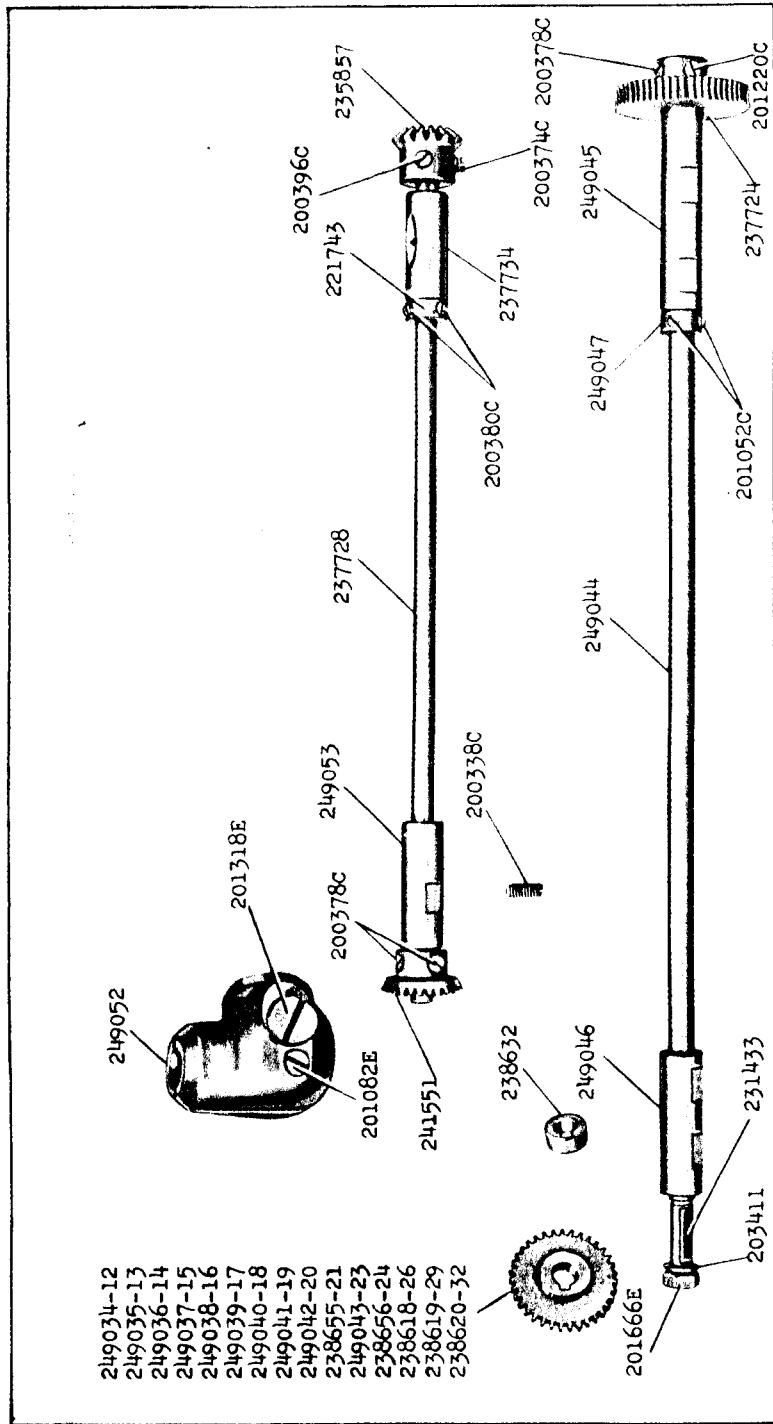
15749



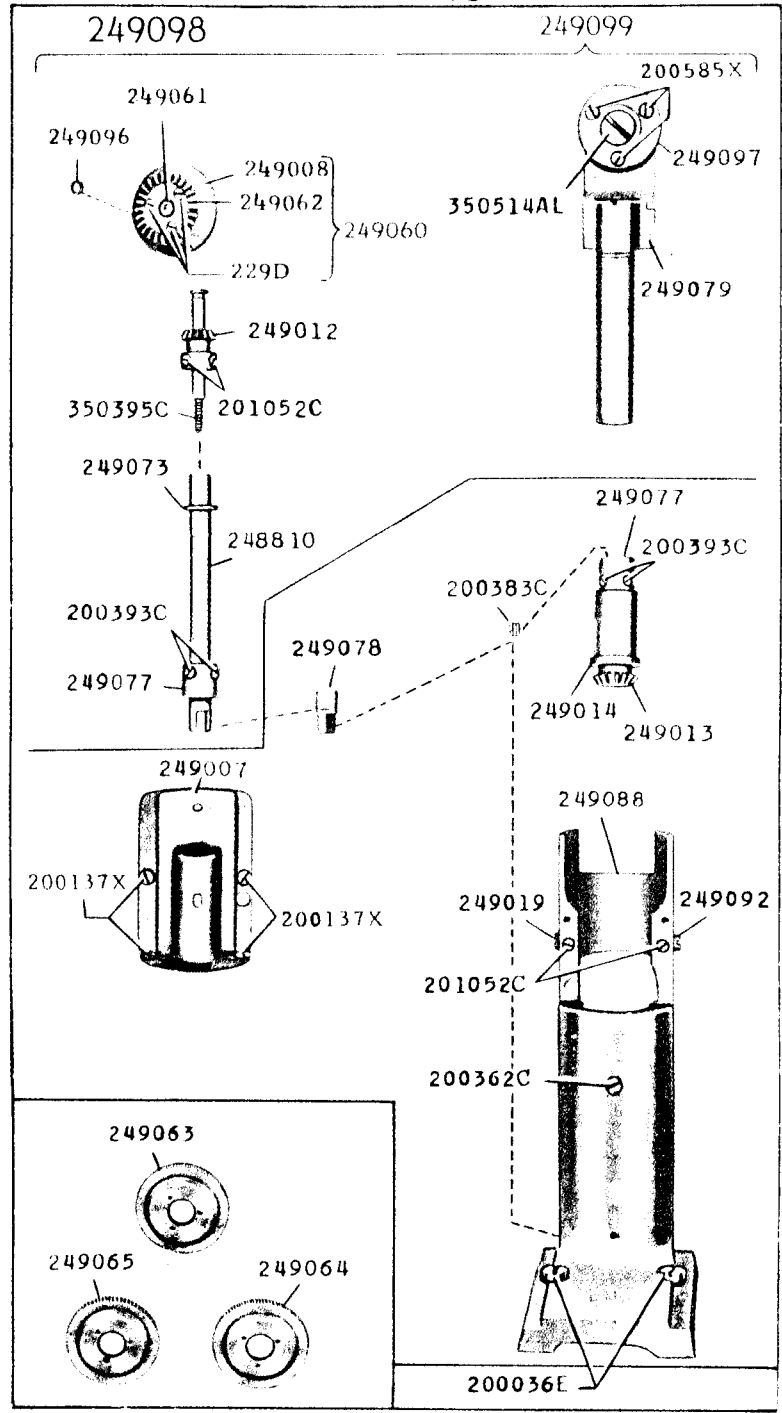
15751 - 1/6

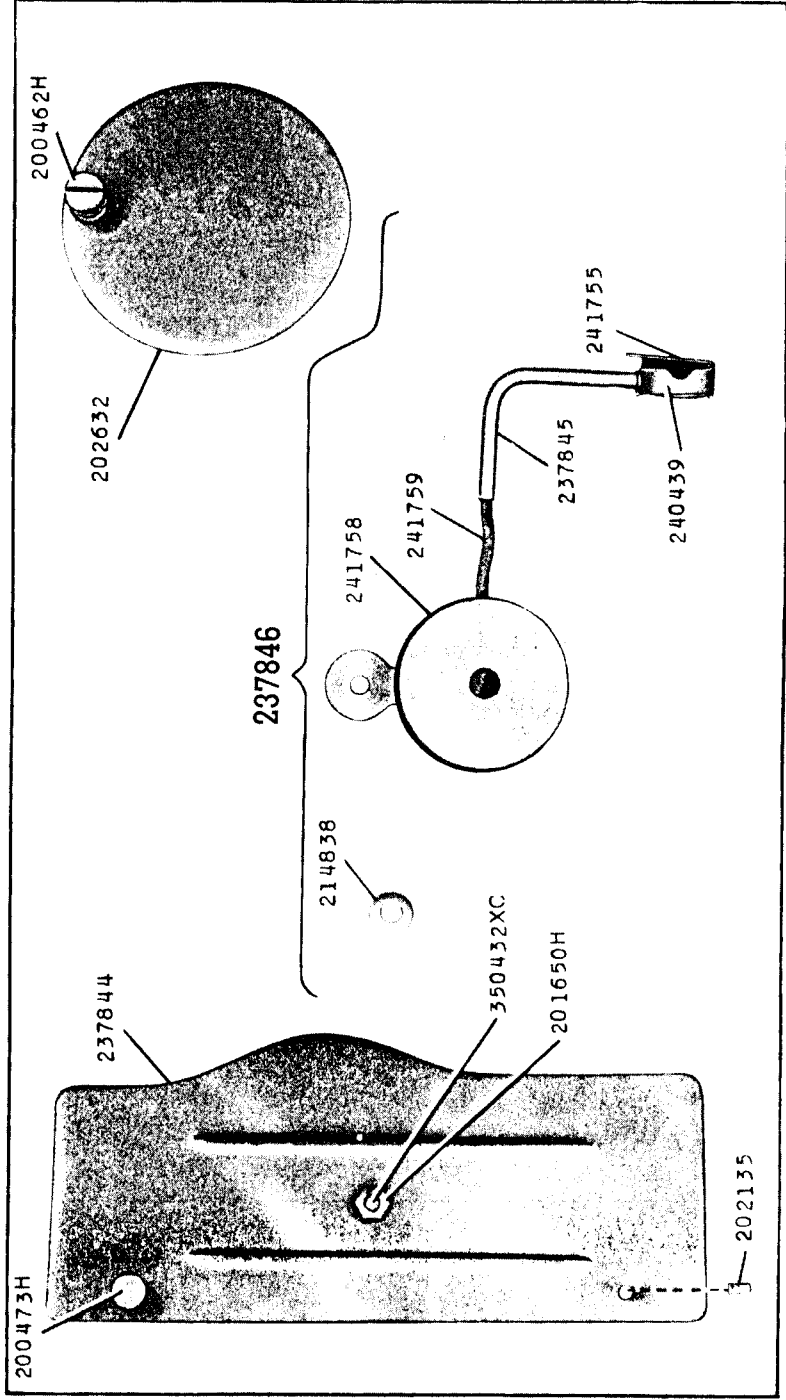
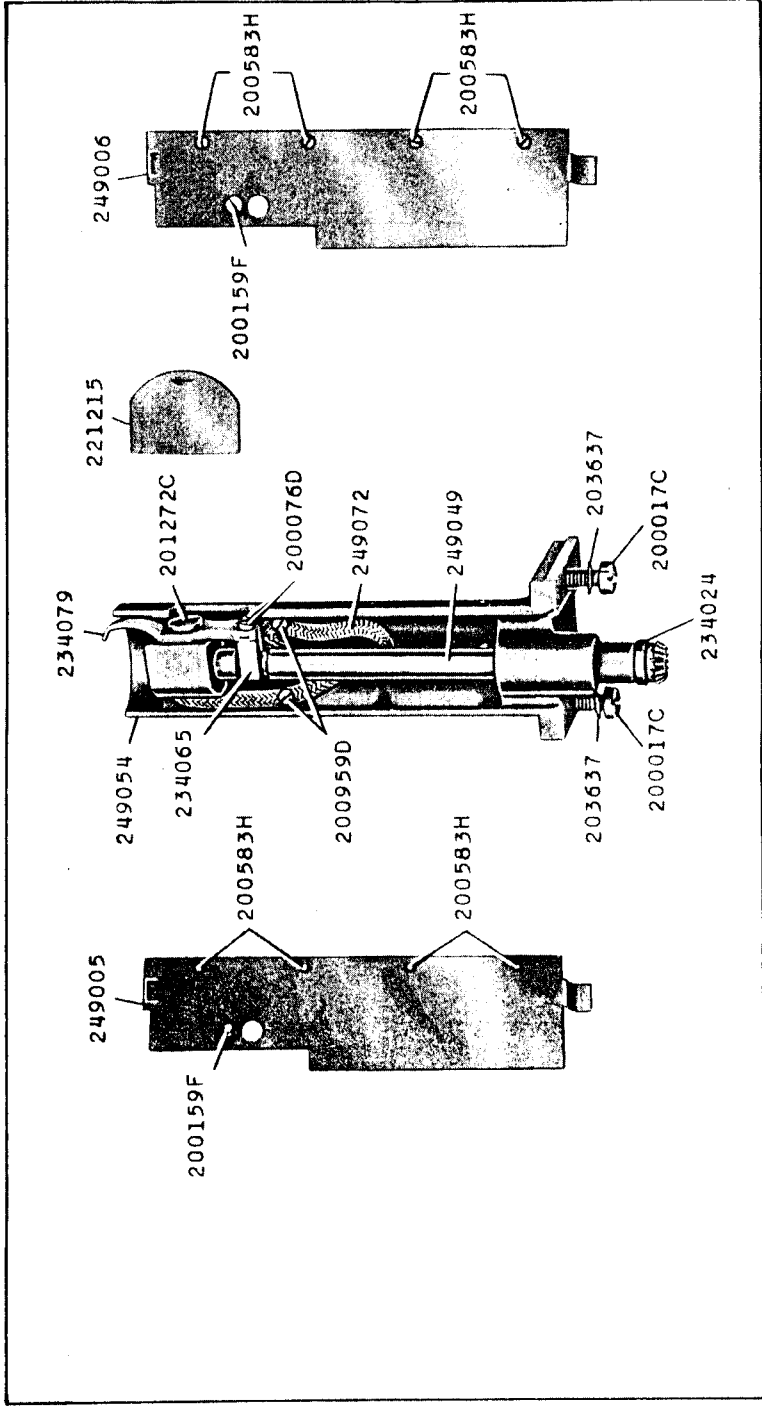


15753 - 3/8

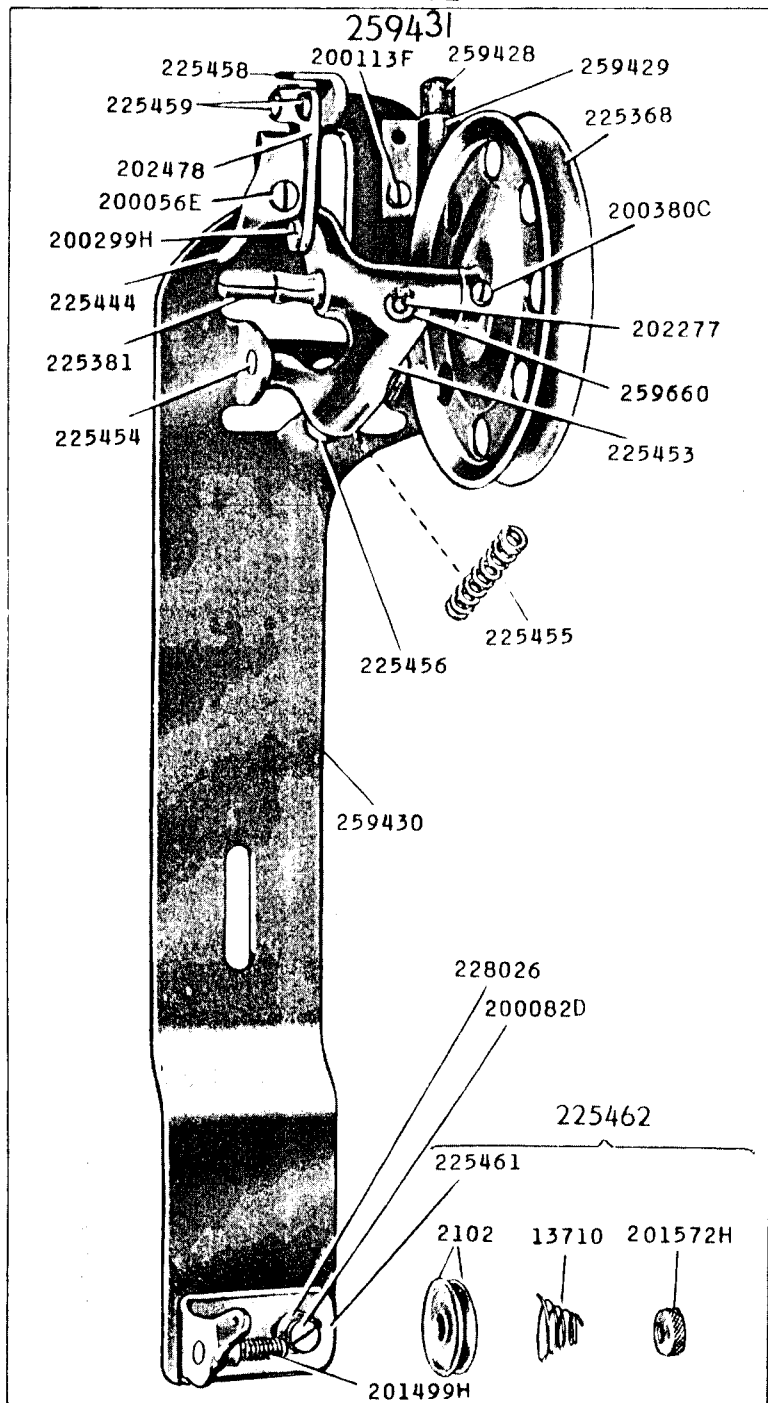


15759 - 1/3

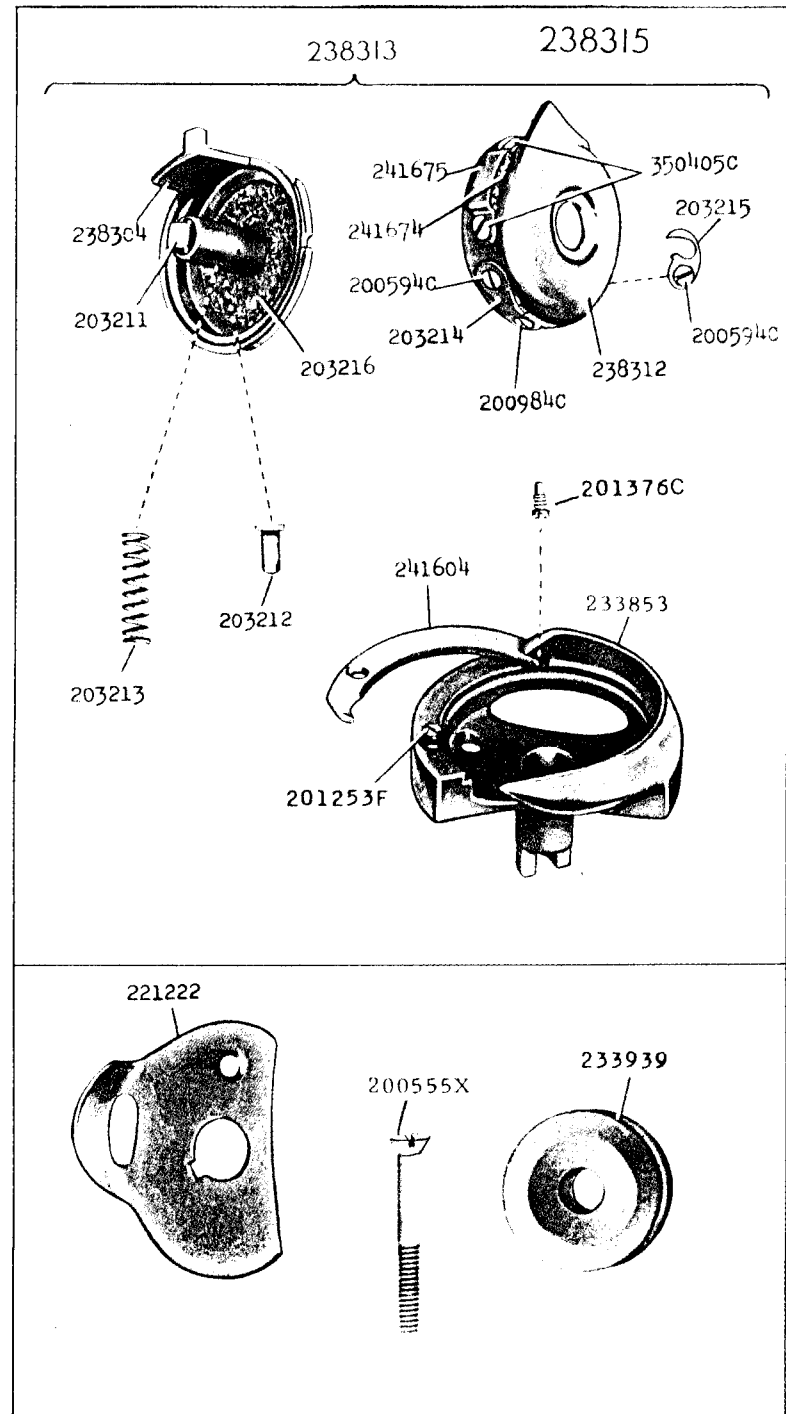


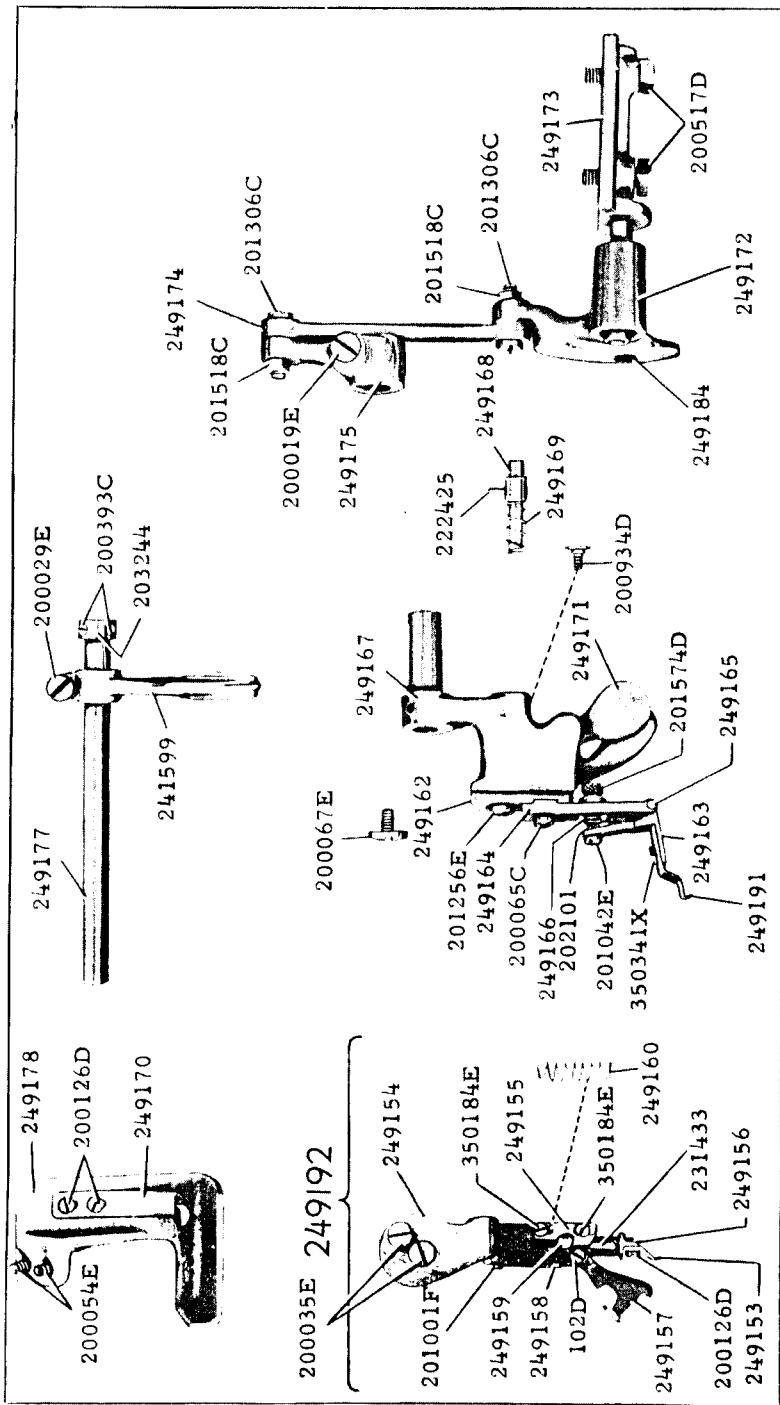
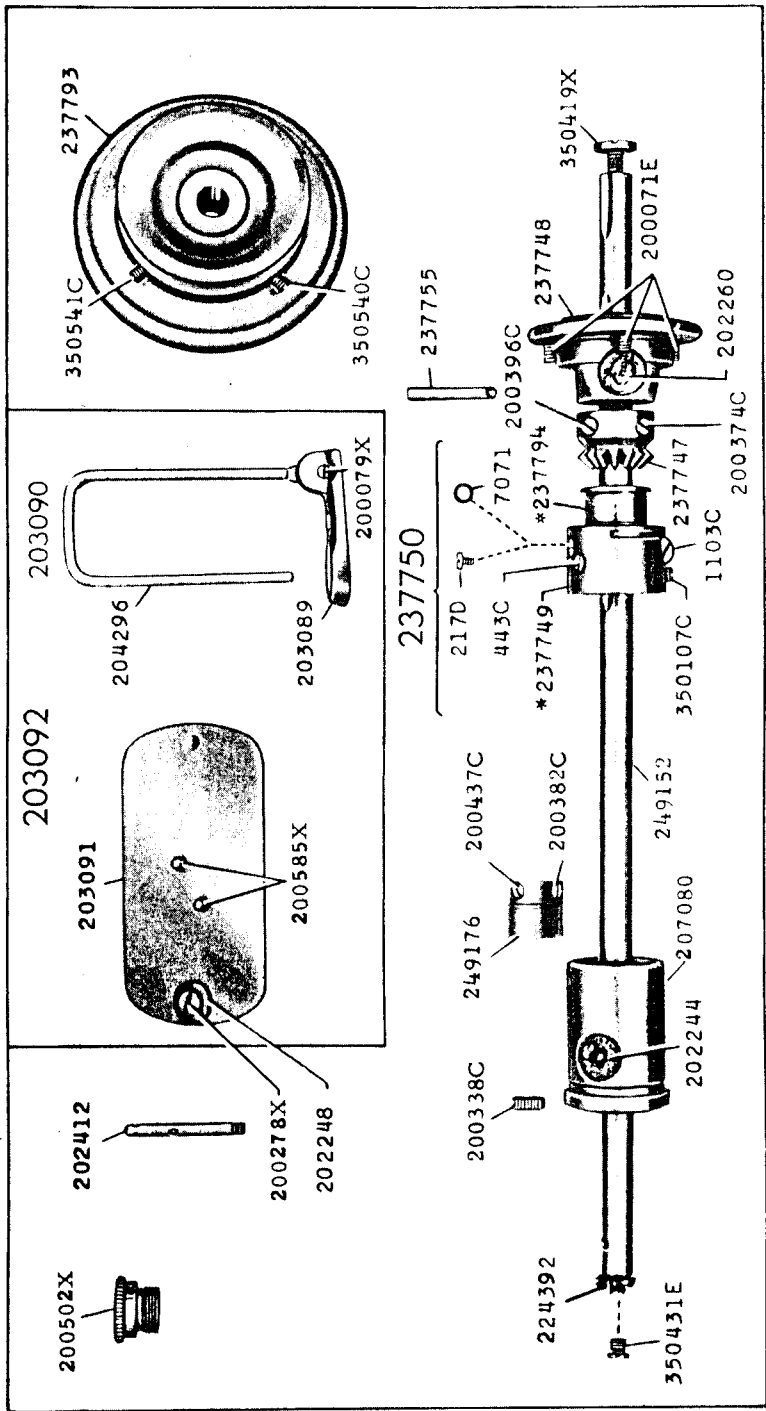


16615 - 1/2

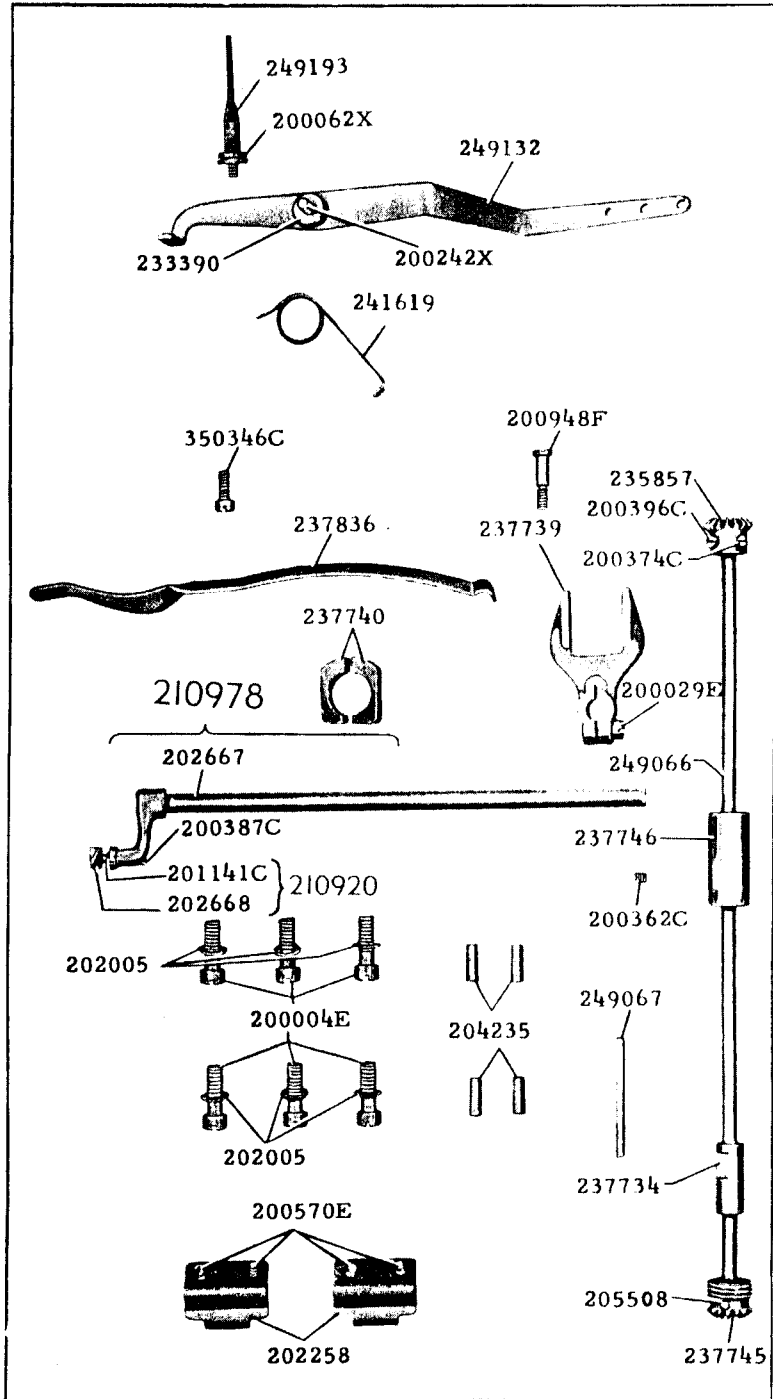


17313

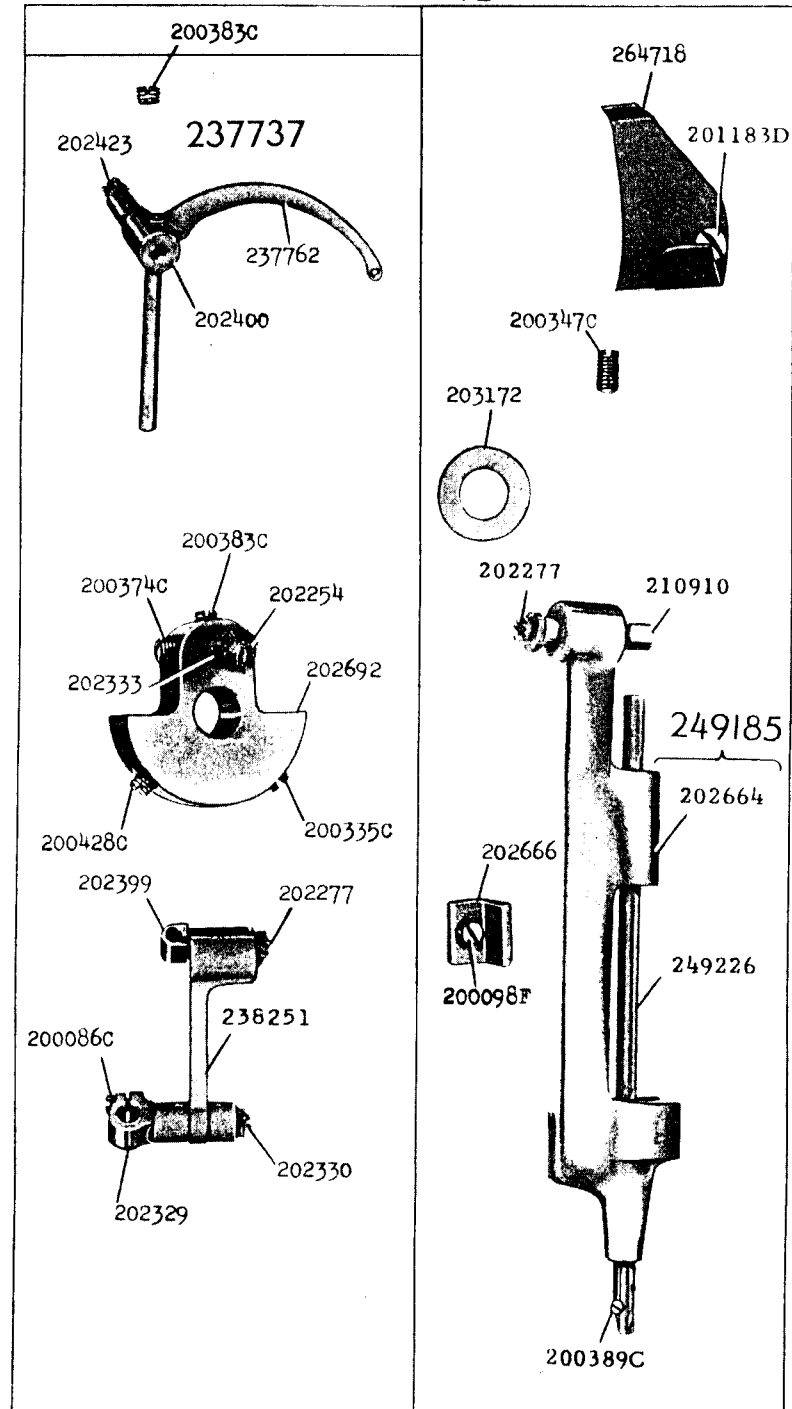




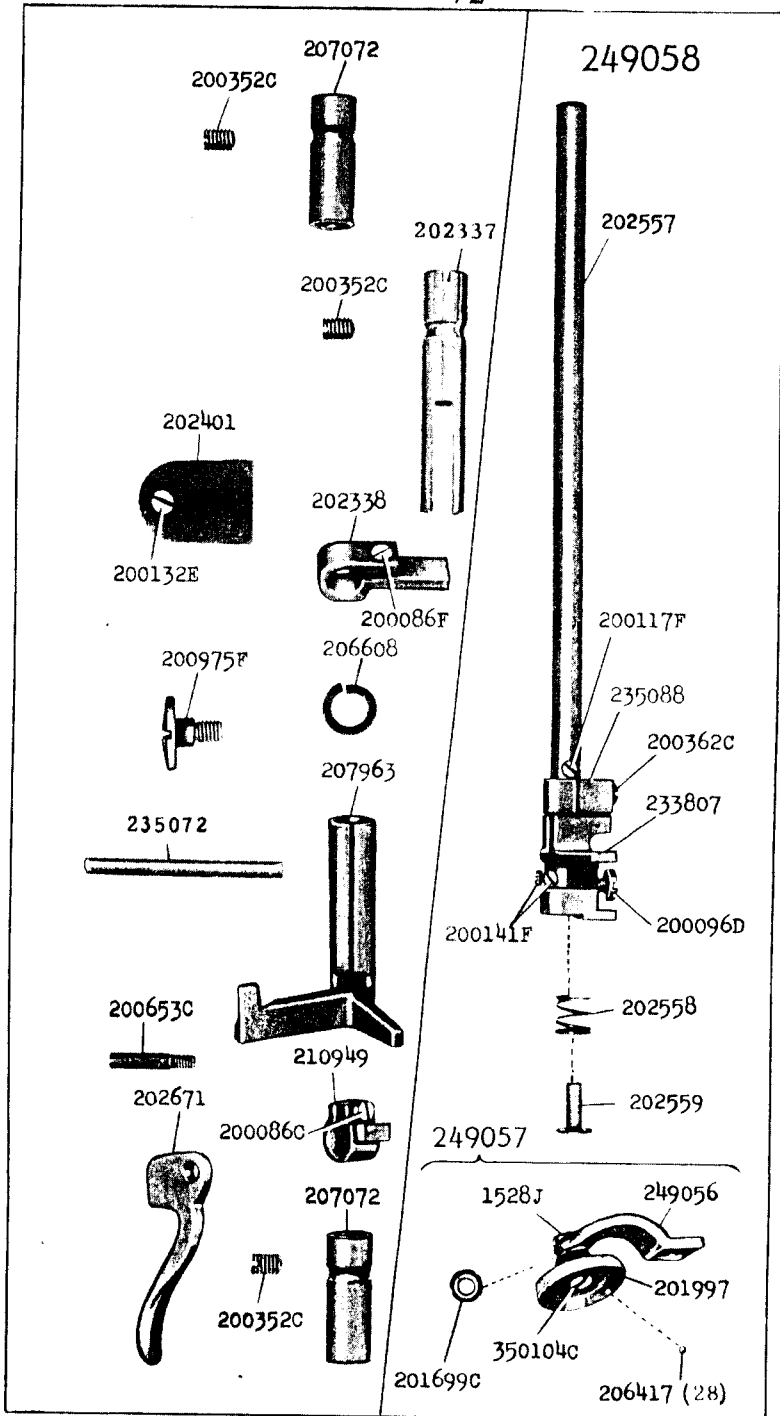
17333 - 1/4



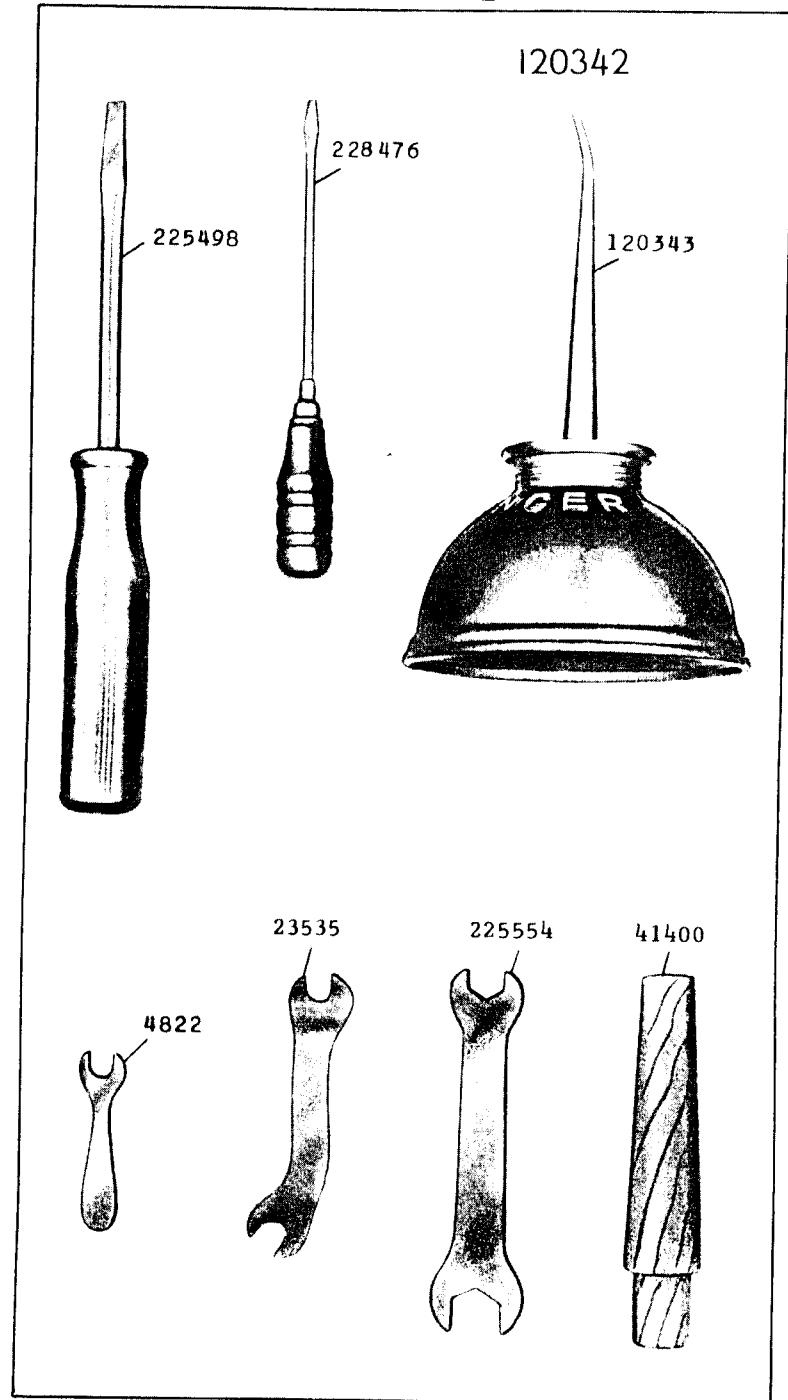
17334 - 1/2



17335 - 1/2



17336 - 1/2



17640 - 1/3

259283

